

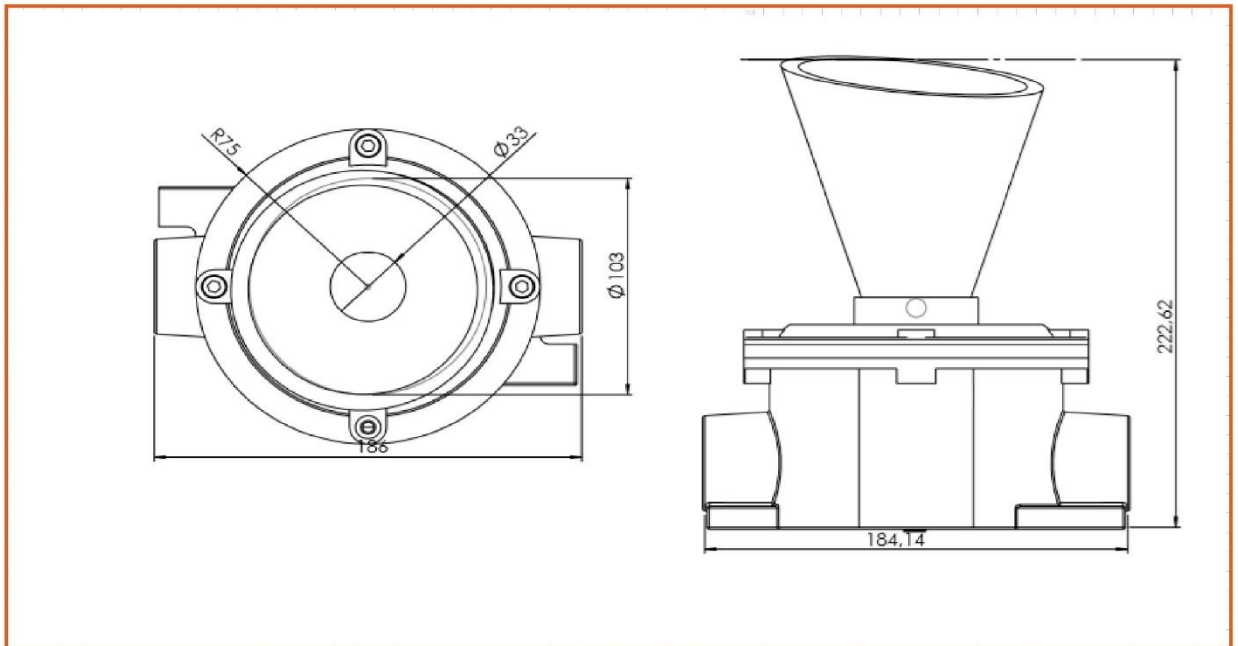


Ex-proof's our business

WH SERIES EXPLOSION-PROOF DIAPHRAGM HORN

CERTIFICATE : INSEMEX-OEC.ATEX.2012.3.0010X

Ex d II C T4/6



APPLICATIONS

In hazardous areas such as chemical and petrochemical plants, refineries, paint manufacturing plants and grain processing plants used as call signals, alarms or various Signalling applications.



Ex-proof's our business

WH SERIES EXPLOSION-PROOF DIAPHRAGM HORN

CERTIFICATE : INSEMEX-OEC.ATEX.2012.3.0010X

Ex d II C T4/6

APPLICABLE STANDARTS

EN 60079-0 ,EN 60079-1 (EEx d II C T6)

MATERIAL

Aluminium – Etial 171

Copper Content < 0.01 %

Device Colour: RAL7040

THREAD SIZE and TYPE

Tapered pipe thread ISO 7-1

NPT pipe thread ANSI B1.20.1

PROTECTION TYPE

IP66